

# *Triple High Parking Lift*



- ◆ **Incredibly Strong I-Beam / C-Channel Superstructure** ◆
- ◆ **Extra Tough Hoist Cables, Built In Wheel Stops** ◆
- ◆ **Built To Last** ◆

**MEA and Seismic Zone 4 Earthquake Approved  
Anti-Roll "Chock Blocks" at Front & Rear of Both Platforms**

**Two Position Fail Safe Locking Mechanism.**

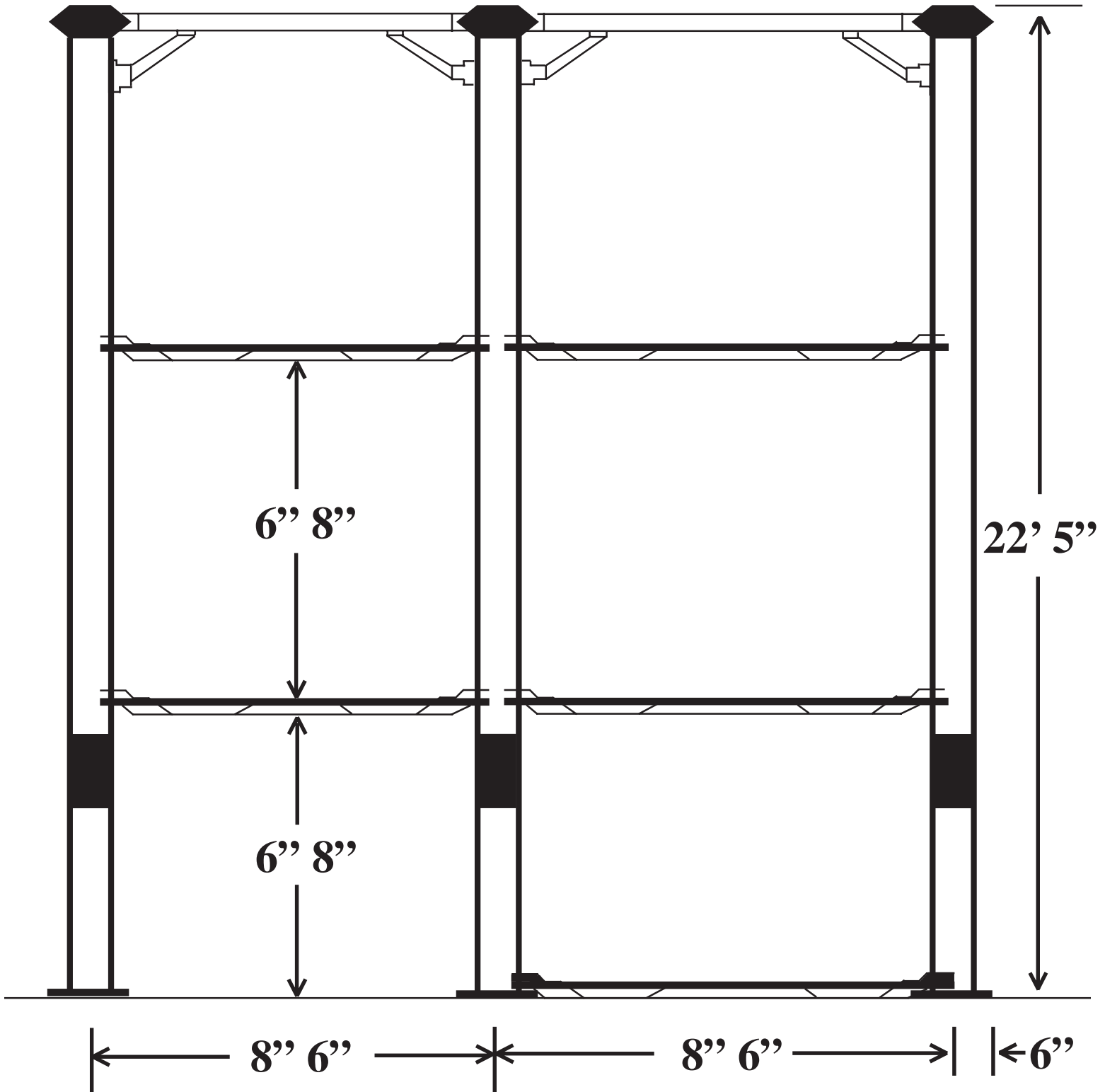
**One Hydroelectric Solenoid Valve per Machine**

**All Electric & Hydraulic Hardware or Complete Operation  
Structure & Top Framing Finished with One Coat Primer Two Coats Enamel**

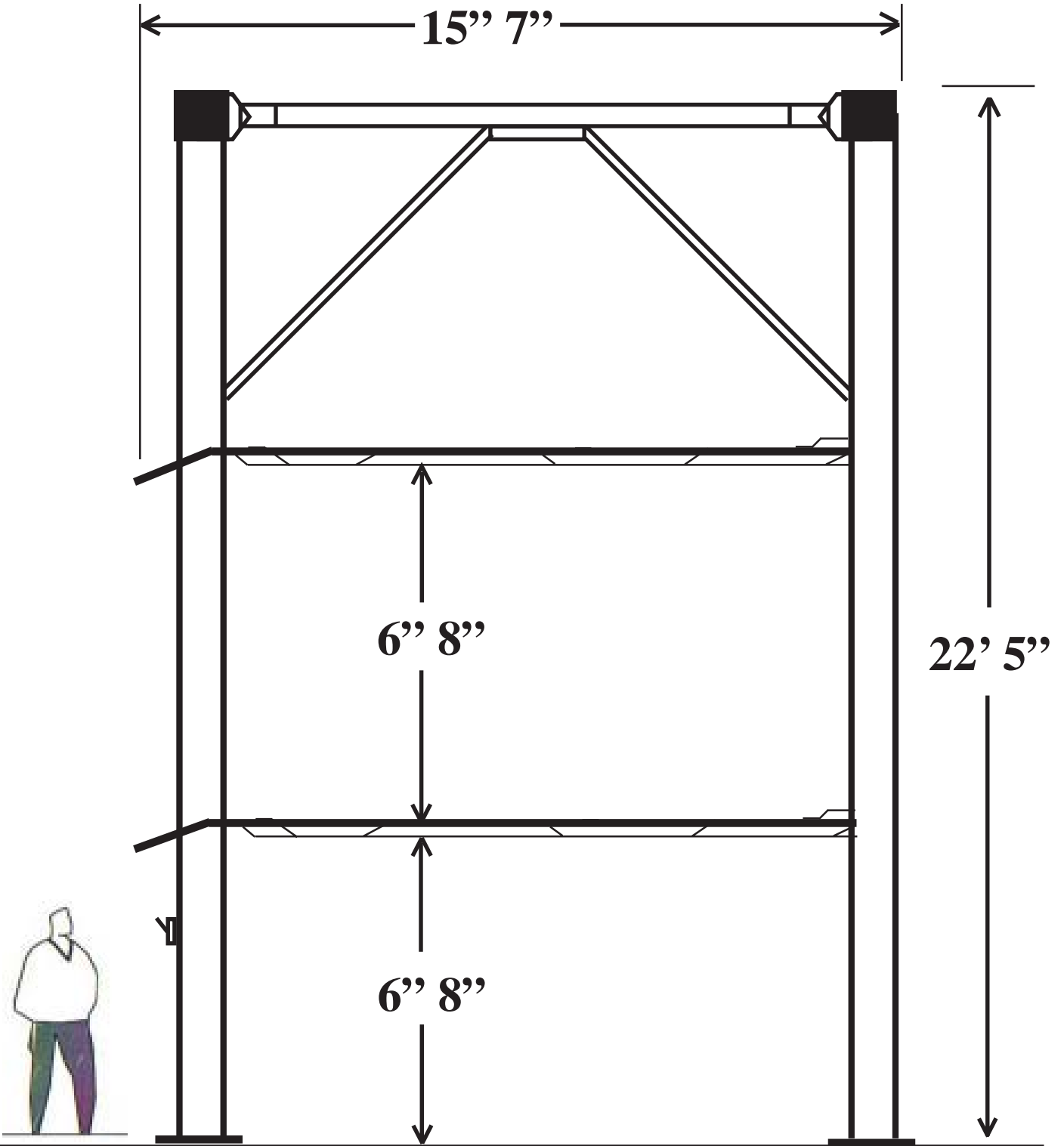
**Platform Sets Completely Hot Dip Galvanized per ASTM123**

**Operation, Installation & Maintenance Manual Included**

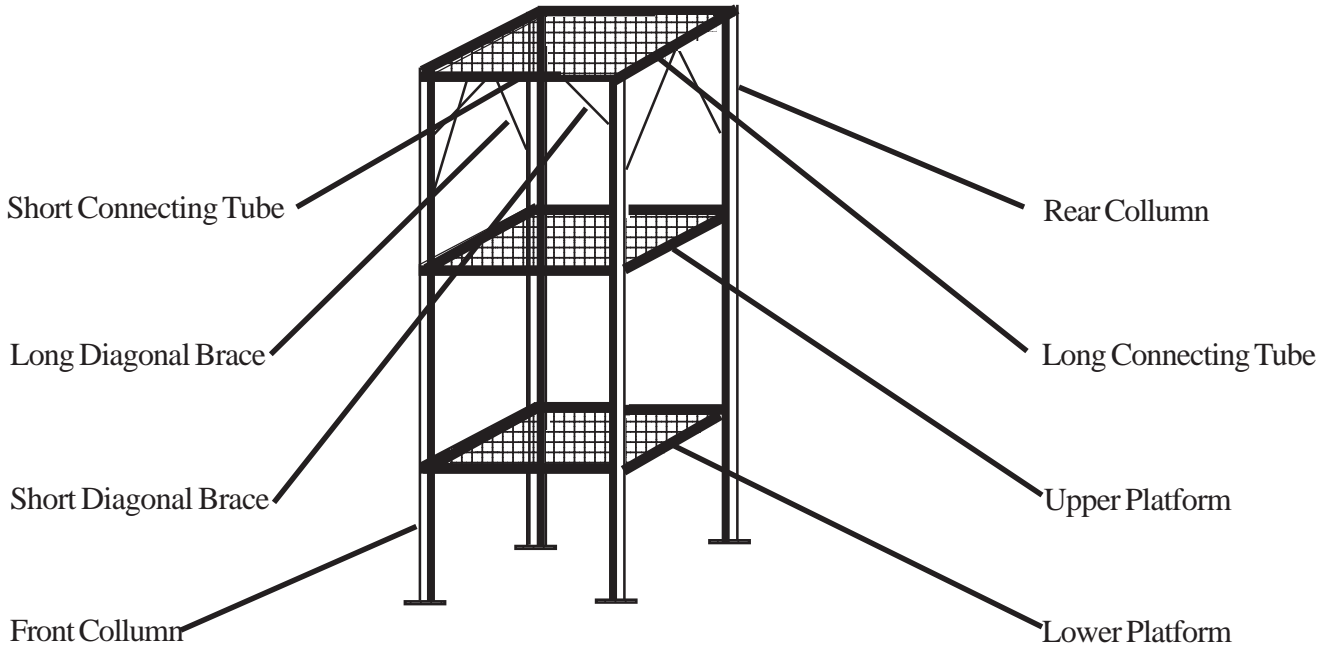
# Front View



# Side View



# Top Views



Wall

Wall

